

# RGBlink®



## mini-pro v3 Streaming Switcher

The classic and compact "SWITCH" five-way joystick is the feature of the RGBlink mini-pro, which has adhered to a user feedback-driven product iteration since 2021, emphasizing a "responsive" design philosophy.

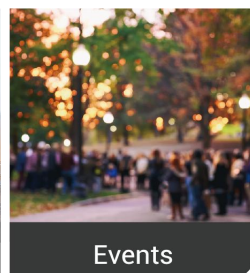
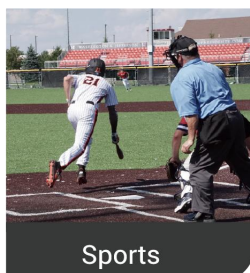
The third-generation live streaming switcher, mini-pro v3, builds on the foundations of the first and second generations and adds an additional HDMI output without increasing the overall dimensions. This enhancement allows for simultaneous multi-screen monitoring while providing the capability for PGM Program output display and independent input selection, further enhancing display flexibility. The mini-pro retains 4 HDMI 2.0 inputs, supporting a maximum resolution of 4K@60 and backward compatibility. In terms of audio, the mini-pro has undergone a comprehensive hardware upgrade, utilizing a fully differential true balanced DAC circuit architecture that effectively improves the audio quality of both MIC and LINE inputs.

The mini-pro features a USB 3.0 output supporting various encoding formats such as YUY2 and MJPEG. When connected to a computer, it can be automatically recognized without additional drivers, which facilitates streaming on platforms like Facebook, YouTube, ZOOM, TikTok etc. mini-pro features a 2.1-inch full-color IPS touch screen with an icon-based touch menu management system, paired with the classic five-way joystick and toggle, allowing for smoother and more convenient control during layer movement, aspect ratio adjustments, PTZ control, Chroma Keying, and PIP operations. Additionally, the third-generation mini-pro introduces a robust streaming feature via the network port, allowing simultaneous streaming to up to 2 platforms through RTMP(S), and supports Vision Tech's self-developed TAO cloud integration for streaming to up to 32 platforms simultaneously.

Additionally, the mini-pro v3 introduces robust network streaming capabilities, allowing for simultaneous streaming to up to 4 platforms via RTMP(S), and supports RGBlink TAO cloud integration control, enabling simultaneous streaming to up to 32 platforms.

Beyond live streaming and control functionalities, the mini-pro supports a solid-state drive recording interface with a capacity of up to 2TB, enabling 24/7 live streaming with synchronized recording. It also maintains the capability for quick preset and mode recalls, enhancing the synchronized operation of multiple control devices, assisting you in achieving more diverse scene display applications.

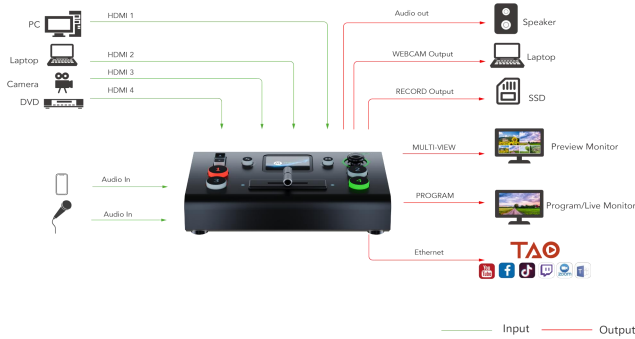
In terms of software, the mini-pro is compatible with Windows and macOS desktop operating systems and supports control via iOS and Android mobile devices.



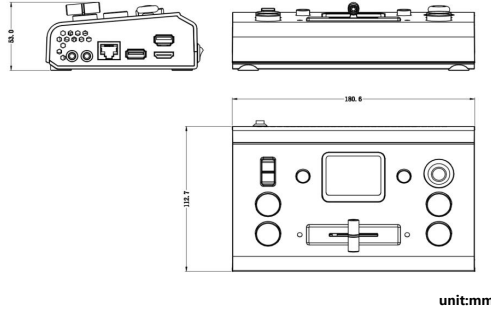
## Key Features

- mini and is convenient to carry
- Built-in LCD for video preview and touch menu operation
- Quad HDMI 2.0 inputs (HDCP 1.4 compliance), resolutions up to 4K@60
- Dual HDMI 1.3 outputs for monitoring of multi-view Preview, Program or AUX
- Mix for 4-channel HDMI embedded and 2-channel external audio
- AUTO and WIPE Switch mode available
- 15 transition effects
- USB 2.0 one-key recording in exFAT or FAT32 format with bitrate up to 16Mbps
- USB output supports YUY2 and MJPEG format, which can be recognized as webcam
- Support RTMP(S) network streaming up to 4 platforms
- Save and load PTZ presets. One-click for preset recall
- 5-direction joystick and toggle for controlling PTZ camera (IP VISCA Protocol supported)
- Specify either "green" or "blue" as the key color for Chroma Key
- Support APP and TAO Cloud integrated control, compatible with mobile devices and desktop

## Application



## Dimension



## Specification

mini series      mini-pro v3

<b>Connectors</b>	Input	HDMI 4K	4xHDMI-A
	Output	HDMI 2K	2xHDMI-A
		USB (Record)	1xUSB-A
		USB (Stream)	1xUSB-A
	Audio	Input	2x3.5mm mini-Jack
	Output	1x3.5mm mini-Jack	
Communication/Stream	LAN	1xRJ45	
Power	Power Supply	1xUSB-C	
<b>Performance</b>	Input Resolutions	HDMI 2.0	1280×720p@50/60   1280×768p@60   1280×1024p@60   1360×768p@60   1366×768p@60   1600×900p@60   1920×1080i@50/60   1920×1080p@30/50/60   3840×2160p@23.97/24/25/29.97/30/50/59.94/60   4096×2160@60
	Output Resolutions	HDMI 1.3	1280×720p@50/60   1920×1080p@24/30/50/60
		USB	1280×720p@60   1920×1080p@24/25/30/50/60
	Video	Bit Depth	8 bit
		Video Formats	HDMI 2.0   HDCP 1.4
		Color Space	YUV 4:4:4   YUV 4:2:2   RGB 8bit
		Video Latency	<3 frames
	Audio	Audio Format	PCM/2ch/24bit/16bit/48kHz
		Record Formats	MP4 (up to 16Mbps)
	Supported Standards	Disk Formats	FAT32(≤32 GB)   exFAT(64GB~2T)
HDMI		2.0	
USB		3.0	
	H.265	ITU-T H.265/ ISO/IEC 23008-2	
<b>Power</b>	Compatibility	USB Power Delivery (PD) 3.0	
	Supported Cables	Certified USB PD Aware	
	Input Voltage	PD 12V/1.5A	
	Maximum Power	20W	
<b>Environment</b>	Temperature	0°C~60°C	
	Humidity	10%~85%	
<b>Physical</b>	Net Weight	0.42kg	
	Packaged Weight	1.20kg	
	Net Dimension	180.6mm × 112.7mm × 53mm	
	Packaged Dimension	255mm × 145mm × 85mm	

## Order Codes

Order Codes	Item
230-0003-03-0	mini-pro v3

## Contact us

Tel: +86-592-5771197  
 Fax: +86-592-5788216  
 E-mail: sales@rgbink.com  
 Headquarter: Room 601A, No. 37-3 Banshang community, Building 3,  
 Xinke Plaza, Torch Hi-Tech Industrial Development Zone, Xiamen, China

