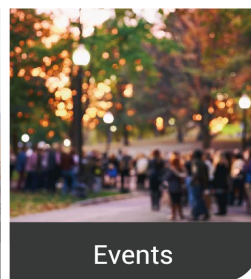
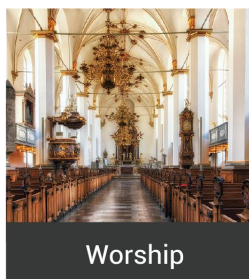
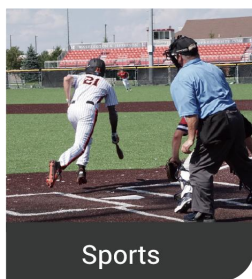


RGBlink®



mini-pro v3 Streaming Switcher

This is the 3rd generation of mini-pro, mini-pro v3 features four 4K HDMI inputs and dual HDMI outputs. Both Line and Mic level audio supported on board with variable delay controls to bring audio into sync if needed. USB output supports YUY2, MJPEG and H.264 encoding formats, which can be recognized as webcam for streaming to Facebook, YouTube, ZOOM, etc. mini-pro is built with LCD touch screen to display video sources. mini-pro supports simultaneous streaming to 4 live streaming platforms via RTMP(S) and 24/7 recording with capacity of hard drive up to 2TB. mini-pro is packed with features including dynamic output control, multi-view preview, picture in picture, Chroma Key, transitions, on board PTZ camera controls and much more.



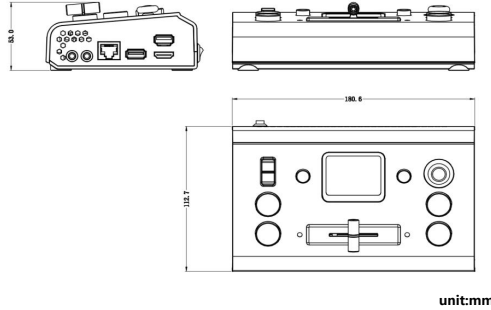
Key Features

- mini and is convenient to carry
- Built-in LCD for video preview and touch menu operation
- Quad HDMI 2.0 inputs (HDCP 1.4 compliance), resolutions up to 4K@60
- Dual HDMI 1.3 outputs for monitoring of multi-view Preview, Program or AUX
- Mix for 4-channel HDMI embedded and 2-channel external audio
- AUTO and WIPE Switch mode available
- 15 transition effects
- USB 2.0 one-key recording in exFAT or FAT32 format with bitrate up to 16Mbps
- USB output supports YUY2 and MJPG format, which can be recognized as webcam for streaming
- Support RTMP(S) network streaming up to 2 platforms
- Save and load PTZ presets. One-click for preset recall
- 5-direction joystick and toggle for controlling PTZ camera (IP VISCA Protocol supported)
- Specify either “green” or “blue” as the key color for Chroma Key
- Support APP control, compatible with mobile devices and desktop

Application



Dimension



Specification

mini series mini-pro

Connectors	Input	HDMI 4K	4xHDMI-A	
	Output	HDMI 2K	2xHDMI-A	
		USB (Record)	1xUSB-A	
		USB (Stream)	1xUSB-A	
	Audio	Input	2x3.5mm mini-Jack	
	Output	1x3.5mm mini-Jack		
	Communication/Stream	LAN	1xRJ45	
	Power	Power Supply	1xUSB-C	
Performance	Input Resolutions	HDMI 2.0	1280×720p@50/60 1280×768p@60 1280×1024p@60 1360×768p@60 1366×768p@60 1600×900p@60 1920×1080i@50/60 1920×1080p@30/50/60 3840×2160p@23.97/24/25/29.97/30/50/59.94/60	
	Output Resolutions	HDMI 1.3	1280×720p@50/60 1920×1080p@24/30/50/60	
	Video	USB		1280×720p@60 1920×1080p@24/25/30/50/60
		Bit Depth		8 bit/10 bit/12 bit
		Video Formats		HDMI 2.0 HDCP 2.2
		Color Space		RGB 8bit YUV 4:4:4 YUV 4:2:2 YUV 4:2:0
	Audio	Video Latency		<3 frames
		Audio Format		LPCM/2ch/24bit/16bit/48kHz
	Record/Storage	Color Space		RGB 8bit
		Record Formats		MP4 (up to 16Mbps)
Supported Standards	Disk Formats		FAT32(≤32 GB) exFAT(64GB~2T)	
	HDMI		2.0	
	USB		3.0	
Power	Compatability		ITU-T H.265/ ISO/IEC 23008-2	
	Supported Cables		USB Power Delivery (PD) 3.0	
	Input Voltage		Certified USB PD Aware	
	Maximum Power		PD 12V/1.5A	
Environment	Temperature		20W	
	Humidity		0°C~60°C	
Physical	Humidity		10%~85%	
	Net Weight		0.42kg	
	Packaged Weight		1.20kg	
	Net Dimension		180.6mm × 112.7mm × 53mm	
	Packaged Dimension		255mm × 145mm × 85mm	

Order Codes

Order Codes	Item
230-0003-03-1	mini-pro

Contact us

Tel : +86-592-5771197
 Fax : +86-592-5788216
 E-mail : sales@rgblink.com
 Headquarter: Room 601A, No. 37-3 Banshang community, Building 3,
 Xinke Plaza, Torch Hi-Tech Industrial Development Zone, Xiamen, China

RGBlink
 www.rgblink.com

