

MSP 305

Bidirectional 3G SDI/HDMI Converter



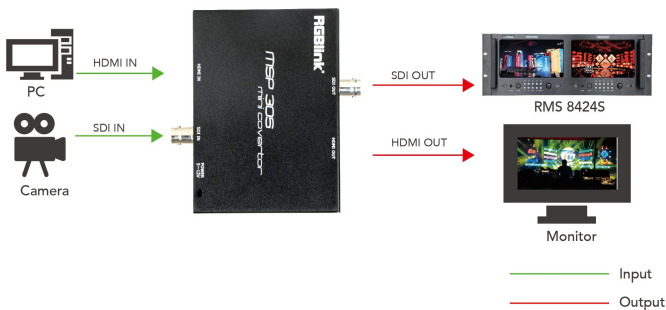
Key Features

- Support for HDMI 1.3 and 3G SDI
- Resolution up to 1080p60
- 1×HDMI in and 1×SDI Out
- 1×SDI In and 1×HDMI out
- Embedded audio
- Auto detect 3G /HD/SD

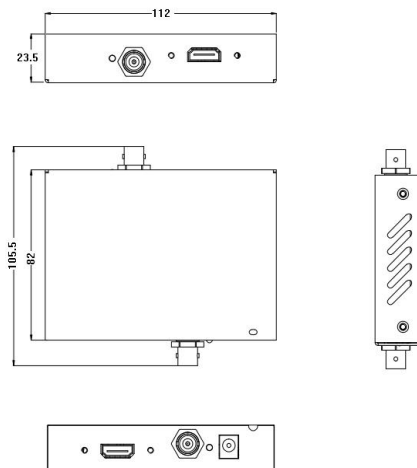
Specification

Connectors	Input	HDMI 1×HDMI-A SDI 1×BNC
	Output	HDMI 1×HDMI-A SDI 1×BNC
Performance	Supported Input Resolutions	SMPTE 720p@23.98/24/25/29.97/30/50/59.94/60 1080i@23.98/24/25/29.97/30/50/59.94/60 VESA 800x600@60 1024x768@60 1280x768@60 1280x1024@60 1366x768@60 1600x1200@60 1920x1080@60
	Supported Output Resolutions	SMPTE 720p@23.98/24/25/29.97/30/50/59.94/60 1080i@23.98/24/25/29.97/30/50/59.94/60 VESA 800x600@60 1024x768@60 1280x768@60 1280x1024@60 1366x768@60 1600x1200@60 1920x1080@60
	Supported Standard	SDI SMPTE 425M,SMPTE 424M,SMPTE 292M,SMPTE 259M-C HDMI 1.3
Power	Input Voltage	DC 5-12V
Environment	Working Temperature	0~40℃
	Storage Temperature	-20~60℃
	Humidity	20-90%
Physical	Weight	Net 0.25kg Packaged 0.5kg
	Dimensions	Net 112mm×106mm×24mm Packaged 160mm×120mm×80mm

Application



Dimensions



Order Codes

Product Code	Item
621-0305-01-0	MSP 305

Tel: +86-592-5771197 | Fax: +86-592-5788216 | E-mail: sales@rgbink.com

Headquarter: Room 601A, No. 37-3 Banshang community, Building 3, Xinke Plaza, Torch Hi-Tech Industrial Development Zone, Xiamen, China

Specifications are correct at time of printing and subject to change or alteration without notice.

RGBlink
www.rgbink.com

