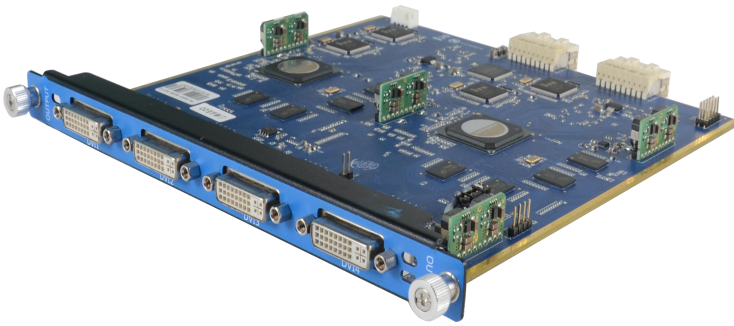


2K DVI Output Module



Key Features

- Four independent DVI output
- Support resolution up to 2048x1152@60/2560x816@60
- Hot swappable into X3/X7/X14 devices

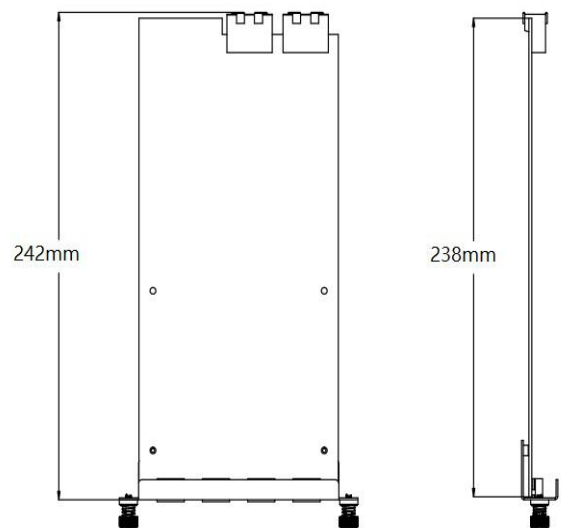
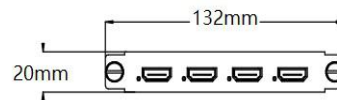
Specification

Connectors	Output	4xDVI-I
Performance	Output Resolutions	<i>select from below or set customised</i> SMPTE 720p@50/59.94/60 1080P@23.98/24/25/29.97/30/50/59.94/60 VESA 800x600@60 1024x768@60 1280x768@60 1280x1024@60 1600x1200@60 1920x1080@60 2048x1152@60 2506x816@60
	Supported Standard	DVI -Single
Physical	Weight	0.335kg
	Dimension	216x204x20mm

Order Codes

Product Code	Item
190-0003-21-0	2K Quad DVI Ouput Module

Dimensions



Compatibility

This module may be used in the following products

Product Code	Item
310-0003-01-0	X3 Touch
310-0003-10-0	X3 Express
310-0003-21-0	X3 Lite
310-1003-00-0	X3p
310-0007-00-0	X7
310-0014-01-0	X14

